



EN ■ Hair dryer

Translation of the original manual

READ CAREFULLY AND STORE FOR FUTURE USE.**General warnings**

- This appliance may be used by children 8 years of age and older and by persons with physical or mental impairments or by inexperienced persons, if they are properly supervised or have been informed about how to use the product in a safe manner and understand the potential dangers.
- Children must not play with the appliance.
- Cleaning and maintenance performed by the user must not be performed by unsupervised children.
- In the event that the power cord is damaged, have it repaired at a professional service centre to prevent causing a dangerous situation. It is forbidden to use the appliance if it has a damaged power cord.

**Warning:**

Do not use this appliance in the vicinity of water.

**Warning:**

Do not use this appliance near baths, showers, washbasins or other containers containing water.

- In the event that you use the appliance in the bathroom, unplug it from the socket after use by removing the plug from the socket, as the vicinity of water poses a danger, even when the appliance is turned off.

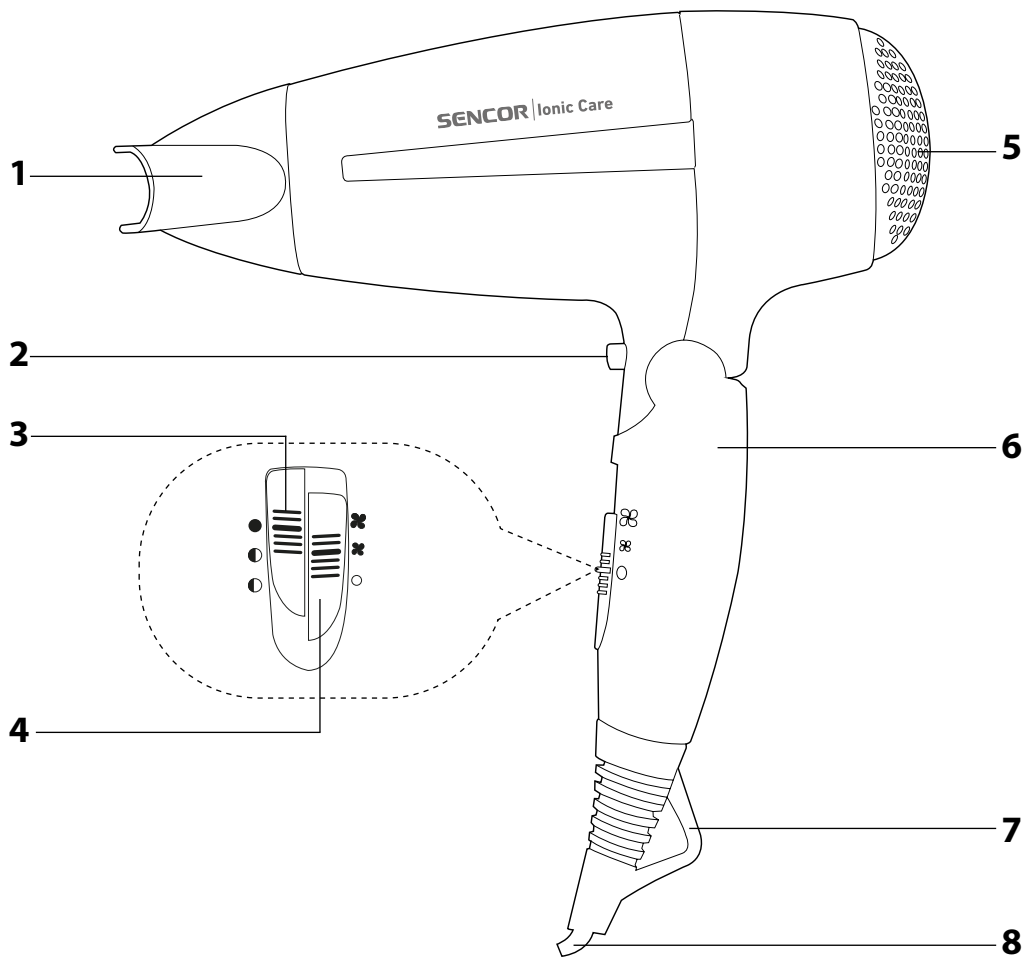
- To ensure additional safety, it is recommended to install an Residual Current Device (RCD) into the electric circuit to the bathroom with a maximum current rating of 30 mA. Ask an electrician for advice.



Before using, carefully read this user's manual and keep it in a safe place for future reference.

- Carefully unpack the appliance and take care not to throw away any part of the packaging before you find all the parts of the appliance.
- Before connecting this appliance to a power socket, make sure the voltage stated on the label of the appliance corresponds to the voltage in your power socket.
- Never use accessories, which have not been supplied with this appliance or which are not designed for this appliance.
- Ensure that the power cord and plug cannot come into contact with water or dampness.
- Do not spray the appliance with water or any other liquid. Do not submerge this appliance and any of its components in water, or any liquids.
- This appliance is designed for household use. Do not use it in an industrial environment, or outdoors!
- Do not use sprays in the vicinity of the appliance.
- If you will not be using the appliance, disconnect it from the power grid. Before cleaning or moving it, proceed in the same manner.
- Make sure that it has cooled down completely before storing it.
- Do not blow hot air at persons or animals that are sensitive to hot air.
- Do not place the appliance on or near an electrical or gas stove. Do not place the appliance near an open flame or devices or equipment that are sources of heat.
- Do not use any attachments other than those supplied or recommended by the manufacturer.
- Do not use the appliance if it has a damaged power cord or power plug.
- In no case should you attempt to repair the appliance yourself, do not make any modifications to it – danger of electrical shock! Entrust all repairs and adjustments to a specialised company/service. Failure to do so will expose you to the risk of voiding the warranty policy.
- Do not place the power cord of the appliance near hot surfaces or over sharp objects. Do not place heavy objects on the power cord, position the cord so that it is not stepped on or tripped over. Make sure the power cord does not hang over the edge of a table or that it is not touching a hot surface.
- Do not disconnect the appliance from the power socket by pulling the power cord – it may damage the power cord / power socket. Disconnect the power cord from the power socket by gently pulling the plug of the power cord.
- Do not use the appliance for any other purposes than those for which it was designed.
- Ensure that when turning on the appliance, that the air inflow or outflow grille is not covered.
- Ensure that no hair or threads remain in any of the openings of the hair dryer.
- The manufacturer takes no responsibility for damages caused by the incorrect use of this appliance and its accessories (injuries, burns, scalding, fire, food spoilage, etc.).

A



EN Hair dryer

User's manual

- Prior to using this appliance, please read the user's manual thoroughly, even in cases, when one has already familiarised themselves with previous use of similar types of appliances. Only use the appliance in the manner described in this user's manual. Keep this user's manual in a safe place where it can be easily retrieved for future use.
- We recommend saving the original cardboard box, packaging material, purchase receipt and responsibility statement of the vendor or warranty card for at least the duration of the legal liability for unsatisfactory performance or quality. In the event of transportation, we recommend that you pack the appliance in the original box from the manufacturer.

DESCRIPTION OF THE APPLIANCE

- | | |
|---|--------------------------|
| A1 Air concentrator | A5 Inflow grille |
| A2 Cold air button | A6 Folding handle |
| A3 Temperature toggle switch
(○: low temperature;
◐: medium temperature;
●: high temperature) | A7 Hanging loop |
| A4 Speed switch (0. off, ∞ low speed,
∞ high speed) | A8 Power cord |

BEFORE FIRST USE

- Before first use, take the appliance and its accessories out of the packaging material and remove all promotional labels and stickers. Check that neither the appliance nor any of its parts is damaged.

USING THE HAIR DRYER

- Insert the power plug into the power socket.
- Set the speed switch **A3** to position "∞" (low speed) or "∞" (high speed).
- Move the toggle switch **A4** to position ○ (low temperature), ◐ (medium temperature) or ● (high temperature).
- You can adjust the speed and temperature to your preferences by mutual combination of the **A3** and **A4** toggle switches.
- To completely turn off the hair dryer, set the speed toggle switch to the "off" position.

Tip:

To achieve the best results wash your hair with shampoo before using the dryer, then dry your hair using a towel to reduce excessive moisture and then comb your hair. We recommend the use of a conditioner or hair lotion, which simplifies the combing and then drying your hair.

Cold air button

- The cold air button can be used in combination with any power level and is ideal for fixing a hairstyle after drying with hot air.



Attention:

The cold air button needs to be held down for the entire time, since when it is released, hot air will again start flowing out.

Air concentrator

- If you need to form a hairstyle while drying your hair (i.e. to focus an air current at a specific location), attach the air concentrator on to the exhaust opening.

Hanging Loop

- If while drying you need to put the fan down, you can hang it on the hanging loop.

Folding handle

- The hair dryer is equipped with a practical folding handle. Tilt the handle down towards the body of the hair dryer.

CLEANING AND MAINTENANCE

- Disconnect the power plug from the power socket and allow the appliance to cool down before cleaning it.
- For cleaning, do not use cleaning products with an abrasive effect, solvents, etc. that could damage the appliance. No part of this appliance is intended for washing in a dishwasher.



Warning:

To prevent the risk of injury by electrical shock, do not submerge the appliance, power cord or power plug in water or any another liquid.

- To clean the outer parts of the appliance, use a soft cloth dipped in lukewarm water.
 - We recommend regularly cleaning the inflow part of the hair dryer, where hair is very often drawn inside.
1. Turn the inflow grille to remove it (at the back of the hair dryer).
 2. Clean out the entire internal space.
 3. Reattach the grille.



Attention:

Before reattaching an accessory, check that it is completely dry.

Storage

- When not using the appliance for an extended period of time, disconnect the power plug from the power socket, allow the appliance to cool down and clean it according to the instructions in chapter "Cleaning and maintenance".
- Before storing it, check that the appliance and all its accessories are thoroughly clean and dry.
- Store the appliance in a dry, clean and well-ventilated location not exposed to extreme temperatures and out of children's reach.



Attention:

Never wind the power cord around the hair dryer unit.

TECHNICAL SPECIFICATIONS

Rated voltage range.....220 – 240 V~
Rated frequency.....50/60 Hz
Rated power input2 000 W
Noise level86 dB(A)

The declared noise emission level of the appliance is 86 dB(A), which represents a level A of acoustic power with respect to a reference acoustic power of 1 pW.



Safety class for electrical shock protection:

Class II – Electrical shock protection is provided by double or heavy-duty insulation.

We reserve the right to change text and technical specifications.

INSTRUCTIONS AND INFORMATION REGARDING THE DISPOSAL OF USED PACKAGING MATERIALS

Dispose of used packaging material at a site designated for waste in your municipality.

DISPOSAL OF USED ELECTRICAL AND ELECTRONIC EQUIPMENT



This symbol on products or original documents means that used electric or electronic products must not be added to ordinary municipal waste. For proper disposal, renewal and recycling, hand these products over to determined collection points. Alternatively, in some European Union states or other European countries you may return your appliances to the local retailer when buying an equivalent new appliance.

Correct disposal of this product helps save valuable natural resources and prevents potential negative effects on the environment and human health, which could result from improper waste disposal. Ask your local authorities or collection facility for more details.

In accordance with national regulations penalties may be imposed for the incorrect disposal of this type of waste.

For business entities in European Union states

If you want to dispose of electric or electronic devices, ask your retailer or supplier for the necessary information.

Disposal in other countries outside the European Union.

This symbol is valid in the European Union. If you wish to dispose of this product, request the necessary information about the correct disposal method from the local council or from your retailer.



This product meets all the basic requirements of EU directives related to it.