

USER MANUAL

IPL epilator
BeautyRelax BR-1400

IPL PREMIUM



CONTENT:

SAFETY NOTICE	4
CONTRAINDICATIONS	5
WARNING	6
SKIN TONE CHART	7
HAIR SHADE TABLE	7
PAY CLOSE ATTENTION	8
PURPOSE OF USE	9
TECHNICAL PARAMETERS	10
INSTRUMENT SPECIFICATIONS	10
PACKAGING CONTENT	11
DESCRIPTION OF THE INSTRUMENT	12
DISPLAY DESCRIPTION	13
SKIN TEST	14
CONTROL OF THE DEVICE	15
HAIR REMOVAL CYCLE	16
AFTER SKIN TREATMENT	17
POSSIBLE SIDE EFFECTS	17
CLEANING AND MAINTENANCE	18
FREQUENTLY ASKED QUESTIONS AND ANSWERS	19
DISPOSAL OF USED ELECTRICAL AND ELECTRONIC EQUIPMENT	21
CERTIFICATION	21
DISTRIBUTOR FOR EU COUNTRIES	21
DECLARATION OF CONFORMITY	22

SAFETY NOTICE

- Read this manual before first use, review all illustrations and keep the manual for future reference.
- If your skin is affected by a serious skin condition, do not use the device. Consult your general practitioner for first use afterwards.
- The device is designed for your personal use. Do not share it with family members or friends.
- If the device has fallen on the ground, become damaged and is not working properly or has fallen into water, never put it into operation.
- Do not use the device near water or in areas of high humidity.
- The appliance is not intended for use by children or persons whose physical or mental condition does not permit the safe use of the appliance.
- Do not place or use the device on hot heat sources (radiator, stove, fire, etc.).
- Do not attempt to disassemble or repair the device yourself.
- If the device falls to the ground, it may be damaged. In this case, contact your dealer.
- The distributor is not liable for damages caused by improper use. It is not liable for consequences caused by failure to observe safety warnings.
- The distributor is not liable for any damage to health or property caused by other uses.
- Use the device only for the purpose described in this manual.
- Always wear safety goggles when operating the device.
- The scattered light after applying the device to your skin does not have the energy to damage your vision. Always try to avoid contact of your eyes with a direct light flash.
- Always use the device at a power setting that is appropriate for your skin.
- Never leave the appliance unattended when it is switched on.
- If you are going through the process of tanning in a natural light source or in a tanning bed, this can affect your skin colour. Always follow the recommended skin tones before using the device.
- If you feel insurmountable pain while using the device, reduce the intensity of the pulse light.
- Consult your physician for use if necessary.
- Never use the device if it is damaged.
- Never use the device if any part of the applicator is damaged.
- Never touch the application head immediately after the treatment. Injury could occur.
- Never use the device in areas of the body where you do not want to remove hair.
- Never repair or disassemble the device yourself.
- Please pay particular attention to the section on individual skin tones. There are specific skin tones and hair colours that must not be treated with IPL technology. Otherwise, there is a risk of skin burn, pigmentation imbalance or skin redness.



CONTRAINDICATIONS

- It is forbidden for pregnant or breastfeeding women to use the device.
- It is forbidden for the device to be used by people who have a certain type of implant in their body. The presence of any active or passive device implanted in the body is incompatible with the use of a device with IPL technology.
- It is forbidden for the device to be used by persons undergoing skin treatment. This includes skin treatments with alpha-hydroxyacids (AHA), beta-hydroxyacids (BHA) or azelaic acid. The same is true in the case of skin treatment with the isotretinoin Accutane or Roaccutane and in the last 6 months.
- It is forbidden for the device to be used by persons who are actively taking drugs whose package insert states that they cause photoallergic reactions. In cases where the use of this drug is prohibited, expose the skin to sunlight.
- Skin cancer, pregnancy.
- The skin is burned or injured by strong sunlight.
- Acute skin infections (open wounds).
- Skin peeling.
- Diabetes.
- Heart disease.
- Highly sensitive skin.
- Psoriasis.
- Diabetes.
- Cardiac weakness.
- Disorder of collagen formation.
- Skin cancer.
- Venous disorders (varicose veins, varicose veins).
- AIDS disease.
- Skin inflammations, eczema.
- Burns.
- Abrasions.
- Herpes virus.
- Hematoma.
- A disease associated with extreme sensitivity to light.
- The device must not be used by persons under 16 years of age.
- The device must not be used by persons taking any form of steroids.
- If you suffer from epilepsy.
- If you are taking anti-clotting medication.
- If you have had radiation or chemotherapy (in the last 3 months).
- If you use medications that reduce the skin's sensitivity to heat.
- If you have undergone surgery on the areas you want to treat.
- It is forbidden to use the device if your skin or hair colour is on the list of colours for which the use of the device is strictly prohibited. Otherwise, you risk insufficient or excessive pigmentation, highly substandard redness or skin burns.



WARNING

- Never use the device around the eyes or eyebrows.
- Never use the device on the lips, nipples, labia minora, vagina, anus.
- Never use the device near silicone implants.
- Never use the device on the inside of your nose or ears.
- For men, restrictions apply to the area on the face or neck. Wherever beards grow. Genital area.
- Please note: If you are unsure, consult your doctor when using an IPL device for the first time.
- Avoid areas of skin with brown or black spots, moles or warts.
- The device must not be used by persons who have tattoos or permanent makeup on selected areas.
- It is forbidden to use the device on dark brown or black skin. Since dark skin absorbs more light, using an IPL machine could cause scarring and skin damage.
- It is forbidden to use the device on red, very blond, gray or white hairs. The device would not be effective on these hairs. Before first use, please check the skin and hair colour as recommended in this manual.



SKIN TONE CHART

PERMITTED



DISABLED



- 1. white
- 2. light beige
- 3. beige
- 4. light
- 5. medium brown
- 6. dark brown



Do not use the device if your skin has been artificially or naturally tanned or sunburned within the last 4 weeks.

HAIR SHADE TABLE

PERMITTED



DISABLED



- 1. black
- 2. dark brown
- 3. medium brown
- 4. light brown
- 5. blond
- 6. red
- 7. white, grey



PAY CLOSE ATTENTION



Do not use the device on the head, eyebrows or anywhere near the eyes. Your eyesight could be damaged. Never look into a direct light source.



Never use the device twice in the same place. Too much light energy in one place can burn the skin.



Never cover the appliance with your hand on the back of the appliance where the air ventilation takes place. This could damage the instrument. When using the IPL light, increased heat is generated on the surface of the applicator. If the head feels too hot on your skin or the ERROR symbol appears on the display, turn off the device. Leave the device off for 10 minutes to allow it to cool down. You can then resume using the device.



Never carry out the cleaning process when the appliance is plugged into the mains. Always disconnect the power cord.



Never use the device in case of intense pain during skin treatment.



Never use the device near water or in rooms with high humidity such as bathrooms. Electrical short circuits could occur.



Never use the device near a source of fire or explosive objects. Also avoid use near cleaning agents (alcohol, acetone, etc.).

Dear customer, thank you for your trust in purchasing our product. Please read all the detailed information in the instruction manual carefully before using it for the first time. Please pay particular attention to the safety warnings. Please use the device exactly as instructed. All of these steps will help to maximize the use of all functions of the instrument. In this manual, we will try to give you the best possible idea of the technology used and how to use the instrument in the best possible way.

If you encounter any uncertainties while reading the instructions, please do not hesitate to contact us at the following email address: mh@santadria.cz

Keep the instructions for use carefully for later reference.

PURPOSE OF USE

The BeautyRelax IPL Premium Epilator is a high quality, gentle and safe device for easy hair removal at home. Optimal applicator size of 3.5cm² for treatment of all selected areas. 5 power levels can be set. Clear LCD display. Long life of Quartz lamp guarantees up to 350,000 flashes.

Highly effective salon-like IPL skin treatment

BeautyRelax IPL Prestige guarantees a high degree of certification and complete safety of use. The same IPL (Intense Pulse Light) technology used in the aesthetic studio at home. Powerful, but at the same time very gentle light pulses prevent hair regrowth. Interchangeable applicator with lamp. No need to buy a new device at the end of its life. Just replace the applicator head. This can only be done by an authorized service. Failure to do so will void the warranty.

IPL (Intense Pulsed Light) technology

IPL technology is one of the world's most effective and widely used methods for hair removal with long-lasting effects. Forget about the classic hair removal by shaving, using wax, tweezers or classic epilators. For many years, IPL technology was the domain of aesthetic studies or dermatologists only. By strictly following the conditions listed in the instruction manual, it is possible to indulge in IPL in the comfort of your own home. Ensuring maximum safety and highly effective hair removal would not be possible without a top quality light source. BeautyRelax IPL devices use the latest generation of lamps. The treatment becomes painless, without any discomfort while achieving maximum effectiveness.

The principle of IPL photoepilation technology

The main prerequisite for the use of IPL technology is a light source that has a precisely defined wavelength and power. When applied to the skin, this light source - energy in the form of photons - is transferred to the dermis layer (the dermis). The light energy acts primarily on melanin - a substance formed by pigment cells. The hair is removed by destroying the fibres, including the root. The reaction thus produced is called photothermolysis. The pulsed light heats the hair to a temperature of around 70°C without damaging the surrounding tissue. The cells in the hair follicle are destroyed and expelled out of the body.

Important note: IPL technology only reduces hair growth. It does not permanently remove hair. Hair reduction and the duration of IPL treatment depends on two factors - the amount of melanin (hair color) and skin tone. IPL has a positive effect in the fight against acne, age spots and pigment spots when adjusting the power of the light (using different types of applicators).

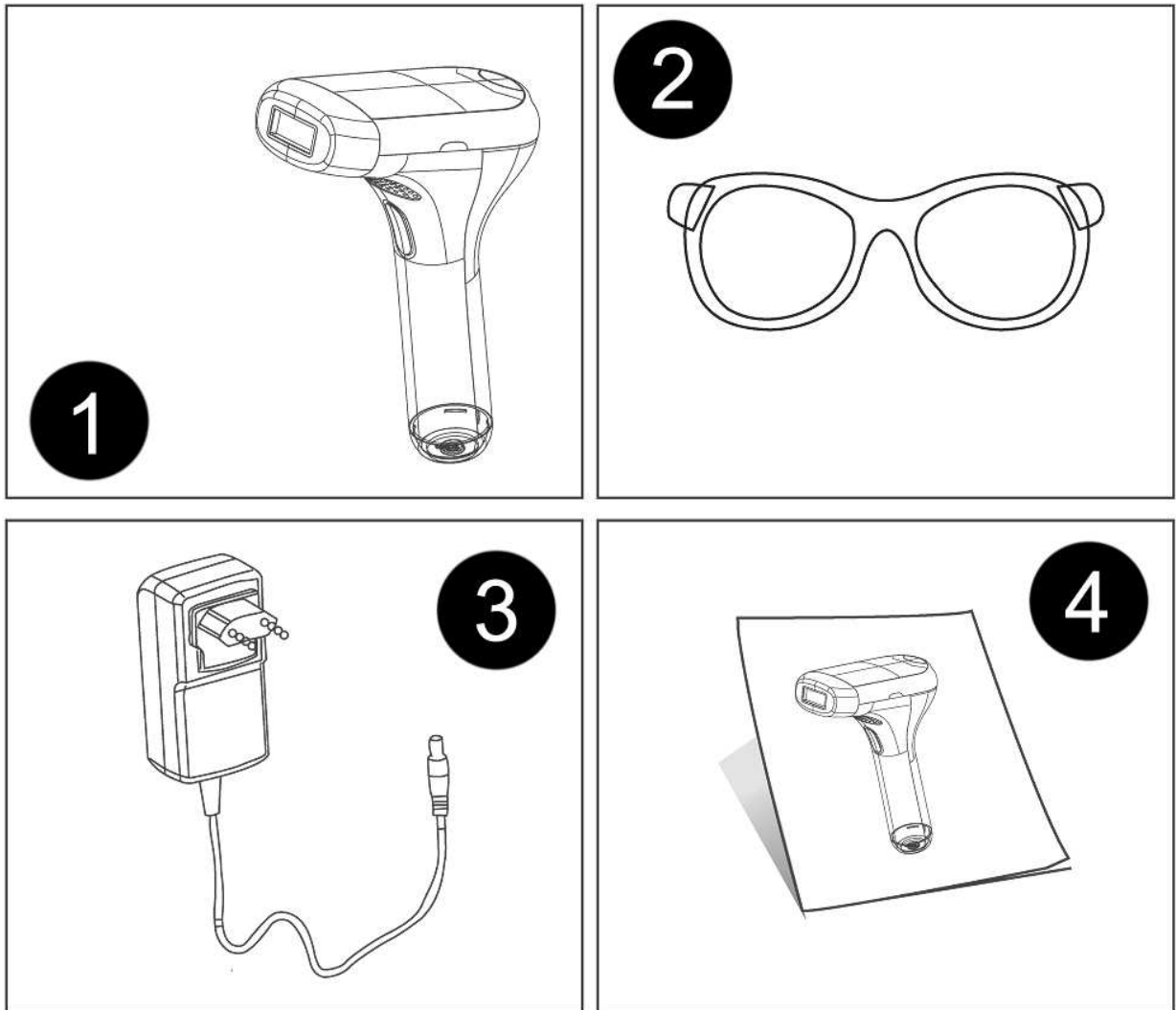
TECHNICAL PARAMETERS

- Light source: intense flash lamp.
- Lamp: Quartz.
- Replaceable lamp: yes (by authorized service).
- Lamp life: 350 000 flashes.
- Applicator area: 3,5cm²
- Use: epilation/depilation.
- LCD display.
- Power: 5 level setting.
- Operating voltage: 3A.
- Wavelength: 530nm.
- Light flash time: <=10ms.
- Dimensions: 16,9x8,1x19,7cm.
- Weight: 366g.
- Operating voltage: 100V-240V.
- Frequency: 50 Hz - 60 Hz.
- Power consumption: 36W.
- Operating temperature: 5°C to 35°C.
- Relative humidity: 25% to 75%.
- Storage temperature: 0°C to 40°C.
- Storage humidity: less than 75% (non-condensing).
- Maximum variation of light output in the treated area: <20%.
- Default wavelength: 530nm.
- Optical exposure: 2.5 to 3.8J/cm².
- Maximum optical energy: 15J.
- Repetition time: 1-3.5s.
- Flash interval: between 1-3.5s.

INSTRUMENT SPECIFICATIONS

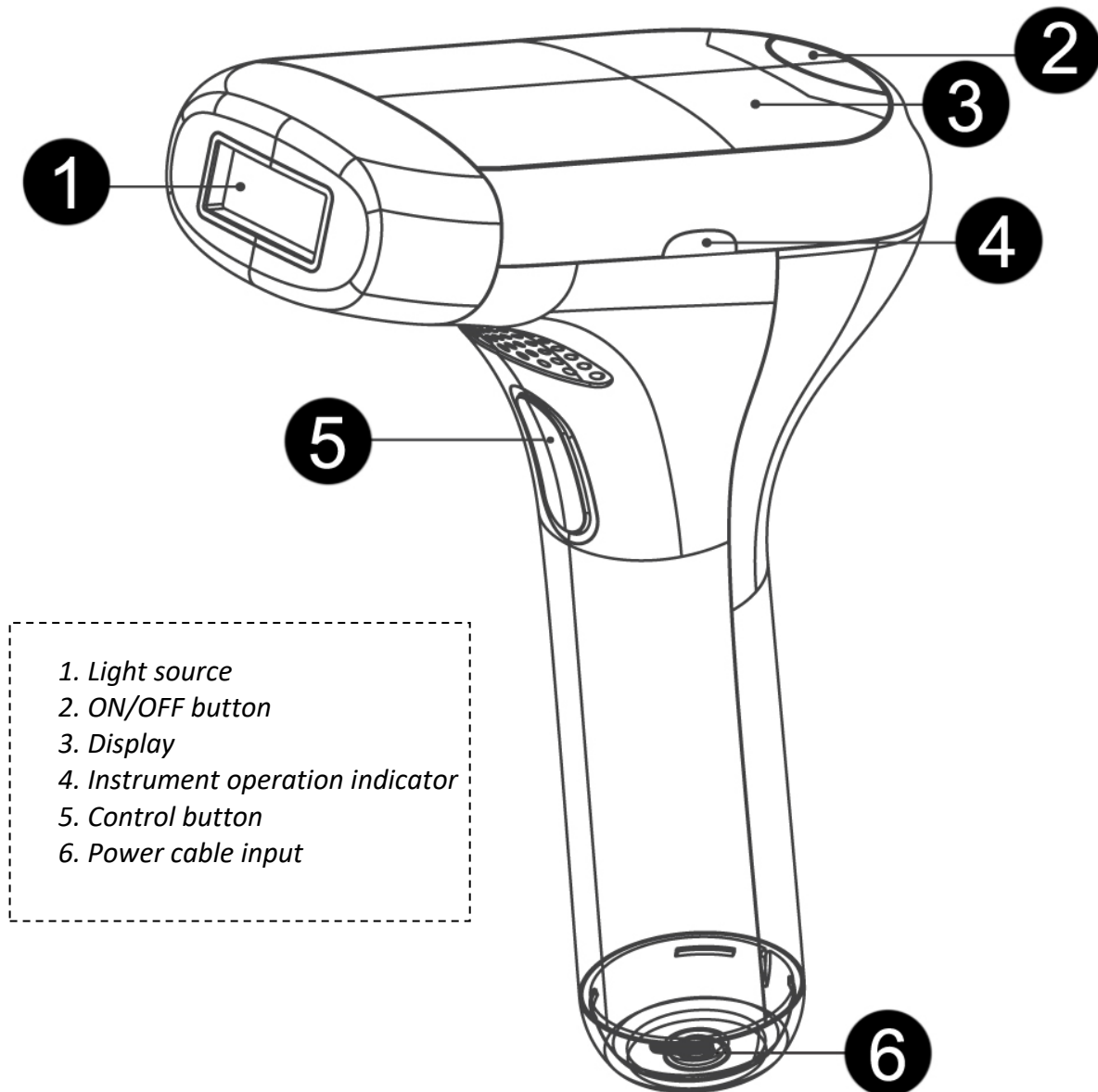
- Effective hair removal using IPL technology.
- Completely safe to use in domestic conditions.
- Suitable for most skin and hair types.
- The applicator size is optimally designed for full body treatment.
- High level of certification.
- Guarantee of maximum safety of use.
- Possibility of setting 5 levels of treatment intensity.
- Optimal light source area 3,5cm².
- Great for easy treatment of smaller and larger areas.
- Short time for treatment of individual parts
- Area above the upper lip: 1 min.
- Armpits: 3 min.
- Back: 12 min.
- Armpit: 3 min.
- Legs: 10 min.
- Bikini area: 2 min.

PACKAGING CONTENT

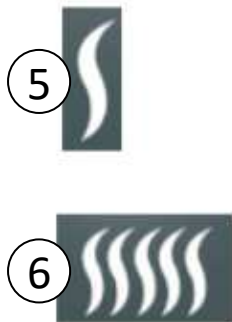


1. IPL epilator BeautyRelax BR-1400 IPL PREMIUM.
2. Protective glasses.
3. Charging adapter.
4. Operating Instructions.

DESCRIPTION OF THE INSTRUMENT



DISPLAY DESCRIPTION



- 1. Remaining number of light pulses until the end of the applicator lifetime
- 2. Ready - the device is ready
- 3. Flash light power level display
- 4. Light source flash mode (manual, automatic)
- 5. Manual light source flash mode
- 6. Automatic light source flash mode

SKIN TEST

Before using the device for the first time, we recommend that you test your skin to see how it responds to IPL technology. Use the device on small areas of the body.

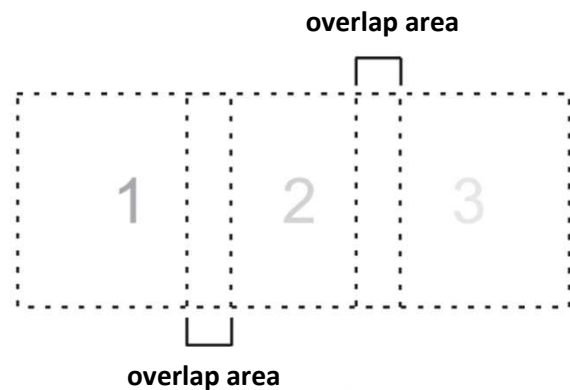
How to perform a skin test

1. Shave the area you want to treat with a conventional razor blade.
2. Wear safety glasses.
3. Select the lowest light power level and send the first pulse of light to the skin. If you do not feel significant discomfort, you can move to the next treatment area and increase the power of the pulsed light.
4. Wait at least 24 hours and observe the manifestations on this small part of the body treated with the device.
5. If your skin returns to normal during this time, continue using the device. Otherwise, see a doctor for consultation.

CONTROL OF THE DEVICE

1. Connect the device to the power adapter.
2. Turn on the unit by long pressing the ON/OFF button. The display will light up and the fan will start. The display will show the following information: the number of flashes remaining, the default flash intensity level, the manual or automatic flash mode icon of the light source.
3. When the applicator is applied to the skin, the Ready message appears on the display. The device is now ready to treat the skin with the light flash. **Always wear protective eyewear. Otherwise, you can seriously damage your eyesight.**
4. When the unit is turned on, the manual flash mode of the light source is set as the default. To switch to automatic mode, long press (at least 2 seconds) the button at the index finger level. By briefly pressing the ON/OFF button, you can adjust the flash intensity to suit your needs from 1 to 5 (1 lowest, 5 highest). To start the flash light, press the button at the level of the index finger (button 5).

5. Always ensure that the device is at a 90° angle with the surface to be treated when in contact with the skin. Move the applicator easily at a distance of approximately 5mm to the next treatment site. Ensure that the treatment sites do not overlap. Follow this procedure to treat the skin according to the following diagram.

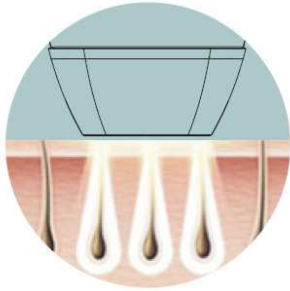


6. When the device is not in use, it will switch off automatically after 5 minutes. You can turn the unit off at any time by long pressing the ON/OFF button.

7. When using IPL light, increased heat is generated on the surface of the applicator. If the head feels too hot on your skin or the ERROR symbol appears on the display, turn the unit off. Leave the device off for 10 minutes to allow it to cool down. You can then resume using the device.

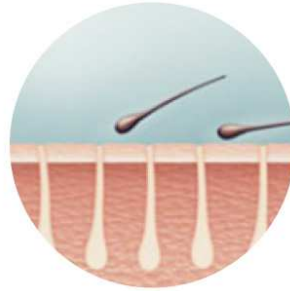
HAIR REMOVAL CYCLE

For optimum results, it is advisable to treat a specific part of the body once or twice a week at most. After the 3-month cycle is complete, hair growth should be significantly suppressed. In case you no longer notice hair growth, you do not need to complete the 12 week treatment cycle. If hair starts to reappear, you can re-treat the selected area (for example, every 2 or 3 months). This depends on the intensity of the hair growth.



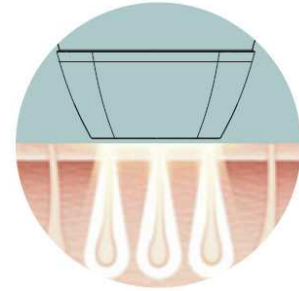
1 to 4 week

Intense pulsed light is transmitted to the hair follicle. Skin and hair colour has a significant effect on the ability to absorb light pulses.



4 to 8 week

The light pulse penetrates all the way to the hair follicle. The hair falls out naturally. Every 4 to 8 weeks, perform a corrective skin treatment.



8 to 12 week

Regular use of IPL light will significantly suppress the formation of new hairs.



AFTER SKIN TREATMENT

Your skin may feel slightly warm or red after treatment with the device. This is a common manifestation of IPL technology. If you experience symptoms of dryness or itching, we recommend using a moisturizer without any added fragrances. You can use a wet compress or ice to reduce the temperature.

POSSIBLE SIDE EFFECTS

In some cases, side effects such as slight redness of the skin may occur during use. This is a normal bodily reaction. If you feel heat during use, it is usually followed by redness of the skin. The colour will usually return to normal within 24 hours. In some cases, even within 72 hours. If you perceive a highly abnormal skin reaction, please contact your physician.

Possible side effects	How to evaluate and respond to the side effect
While using the device, you may feel increased temperature of the treated area, tingling, tingling or itching. In most cases, these sensations will disappear within seconds to minutes. With continued use of the device, this sensation will be significantly reduced.	This is a standard response when using all types of devices that work with IPL technology. Be sure to carefully read the contraindications in the introduction to this manual before use.
Increased discomfort during the treatment or after the device has been used.	Discontinue use of the device and consult your physician for further use.
Skin redness during or after using the device will disappear within minutes or hours.	This is a standard response when using all types of devices that work with IPL technology.
Skin redness does not disappear within 24 to 48 hours after using the device.	Discontinue use of the device and consult your physician for further use.

In very serious cases

The swelling or redness around the hair follicle disappears within two to three days.	Once the swelling and redness around the hair follicle has disappeared, you can continue using the device.
The swelling or redness around the hair follicle does not go away within two to three days.	Discontinue use of the device and consult your physician for further use.
Temporary changes in skin colour - lightening or darkening.	Discontinue use of the device and consult your physician for further use.
Increase hair growth in the area of treatment with the device.	Discontinue use of the device and consult your physician for further use.

CLEANING AND MAINTENANCE

After you have finished using the device, pay particular attention to the maintenance of the device.

1. Switch the unit off by long pressing the ON/OFF button. Always disconnect the unit from the power adapter before cleaning.
2. Use a clean cloth to thoroughly clean the application head. Avoid types of cloth that will release dirt onto the applicator.
3. Store the instrument in a dry place.
4. Do not expose the instrument to any water or alcohol based solutions.
5. Never use compressed air for cleaning.



FREQUENTLY ASKED QUESTIONS AND ANSWERS

What is the main principle of IPL hair removal?

It is very simple. A flash light is integrated in the application head of the device. The light acts on the skin in a specific wavelength and power. The light energy is converted into heat energy and targets the hair directly to the root. As the hair heats up, it falls out over the following days to weeks. It is therefore not a classic epilation, in which the hair is pulled out, but an IPL epilation, which is able to effectively act on the hair with intense pulsed light. Direct targeting of the melanin in the hair follicles. The cycle of hair regrowth is interrupted.



So you only need to use the IPL machine once and the hair is gone?

IPL hair removal is a gradual process. Results cannot be expected immediately. Skin treatments need to be repeated at certain intervals. Hair on our body does not grow all at once, but gradually in certain stages. If you are just starting out with an IPL machine, use a machine with a higher frequency. You can then extend the intervals between uses. With regular use, you can see for yourself how some hairs grow with less intensity or not at all. Depending on the appearance of the hairs, you can just target these areas. In the final stage, you can already use the device to maintain smooth skin with a recommended frequency of once or twice a month. This is a very individual thing and depends on the skin condition of each user.

Is it safe to use an IPL machine at home?

Yes it is. You should always follow the instructions in the instruction manual and always use protective eyewear. They are always included in the package of the device.

Is using an IPL epilator for everyone?

There is a list of contraindications associated with the use of an IPL device. That is, situations where the device cannot be used. Use is not suitable for pregnant and nursing mothers, users with skin diseases, high blood pressure or high phototype (brown skin). Use should be avoided if you have tanned skin or immediately after tanning. For a complete list of restrictions on use, see section - CONTRAINDICATIONS. The use of the device is also not intended for blonde, white, grey or red hairs. Also, take extra care when using the IPL device on areas with fresh scars. Older scars are not a barrier to use.

Do I need to prepare my skin in any way before using the IPL device?

Your skin needs to be perfectly shaved before using the device. If there is hair on the skin, the IPL treatment itself may be more painful. Use a conventional razor blade machine. If you have more sensitive skin, wait a few hours after shaving before using an IPL machine. Avoid aggressive skin peels or application of cosmetic products with fragrances before using an IPL machine. Always use the IPL device on clean, dry and shaved skin. If you are just getting acquainted with the IPL device, we recommend that you perform a skin test. Select the lowest light power level and send the first pulse of light onto your skin. If you don't feel any significant discomfort, you can move on to the next treatment area and increase the power of the pulsed light. Wait at least 24 hours and observe the manifestations on this small area of the body treated with the device. If the skin returns to normal during this time, continue using the device. Otherwise, see a doctor for consultation.

Is there a time of year when the IPL device cannot be used?

The IPL device can be used all year round. Only the rules for using the device should be taken into account. It involves exposing the skin to direct sunlight. In the summertime, be aware of the very

intense exposure to sunlight. Immediately after using the device, it is not possible to sunbathe for a minimum of 48 hours. In addition, use a cream with a high protection factor of 50 or more when sunbathing.

Does the skin need special care after using an IPL device?

This is very individual. In general, a moisturizer is recommended. In case of sensitive skin, creams to soothe the skin.

Is it painful to use an IPL device?

The skin heats up slightly during the use of the device. It depends on the intensity of the light setting. If you feel more pain on certain areas, reduce the light intensity to a minimum. Do not use the IPL machine on irritated skin. After using the device, you can possibly use a cooling gel to soothe your skin.

For which areas is the IPL device intended?

The IPL device is intended for use on the area above the upper lip, arms, back, underarms, legs or bikini area. Always avoid the area around the eyes when using it.

DISPOSAL OF USED ELECTRICAL AND ELECTRONIC EQUIPMENT



This symbol on the products or in accompanying documents means that used electrical and electronic products must not be added to normal municipal waste. For proper disposal, refurbishment and recycling, take these products to the designated collection points. Alternatively, in some European Union or other European countries, you can return your products to your local retailer when purchasing an equivalent new product.

By properly disposing of this product, you will help conserve valuable natural resources and help prevent potential negative environmental and human health impacts that could result from improper waste disposal. For further details, contact your local authority or nearest collection point. This symbol is valid in the European Union. If you wish to dispose of this product, please obtain the necessary information on the correct method of disposal from your local authorities or your dealer.

CERTIFICATION



The product is approved for use in European Union countries and bears the CE mark. The declaration of conformity and all documentation is available from the importer.

DISTRIBUTOR FOR EU COUNTRIES

SANTADRIA s.r.o., Mojmírovo nám. 75/2 Brno, 612 00
IČO: 29195454 | DIC: CZ29195454

If you have any questions about the product, please do not hesitate to contact us:

Email: mh@santadria.cz

ES DECLARATION OF CONFORMITY

The undersigned, representing the company

SANTADRIA s.r.o.

Mojmírovo nám. 75/2, Brno 612 00, ID: 29195454

hereby declares, as an importer into the EU, that the following product with the trade name

IPL epilator BeautyRelax IPL PREMIUM

marketed under the model name: **BR-1400**

EAN: **8594166116795**

belonging to the **BeautyRelax IPL Premium** brand group of products

is in compliance with the following European standards:

EN 55014-1:2017

EN 55014-2:2015

EN 61000-3-2:2014

EN 61000-3-3:2013

EN 60335-2-23:2003+A1:2008+A11:2010+A2:2015

EN 60335-1:2012+A11:2014+A13:2017

EN 62233:2008

Details are given in test report number: **A1911284-C01-R02, A1911284-C01-R01**

The device is not a medical device. In case of use by several persons, special care must be taken with the hygiene standards for devices of similar type.

Based on compliance with these directives, the product has been CE marked.

The product also complies with RoHS Directive 2002/95/EC (RoHS). All materials are health-safe. They do not contain any heavy metals such as cadmium and other toxic substances.

For safe use, it is essential to strictly follow the instructions in the instruction manual included in the package.



Place of publication: Brno Day: 20.6.2020

Martin Hrbek, Managing Director